

符合RoHS指令要求  
CONFORM TO RoHS INSTRUCTIONS

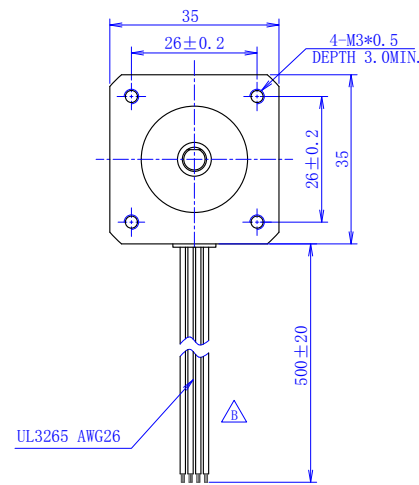
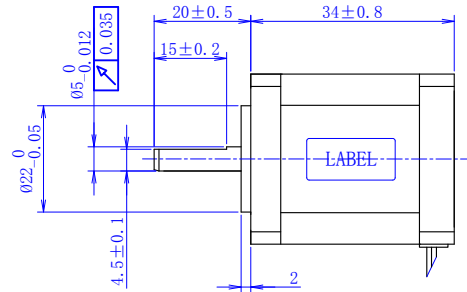
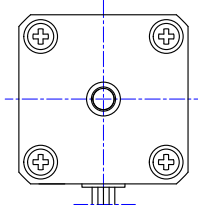
A

B

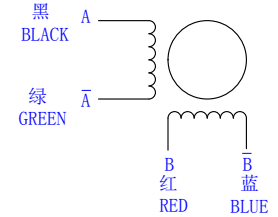
C

D

E



接线图/WIRING DIAGRAM



电气特性参数/ELECTRICAL PARAMETER

步进角/STEP ANGLE	1.8° ±5%
相数/NO. OF PHASES	2
额定电压/RATED VOLTAGE	3.8 V
额定电流/RATED CURRENT	1.0 A
电阻 /RESISTANCE	3.8 ohm±10% AT 25° C
电感 /INDUCTANCE	5.3 mH±20% AT 1kHz, 1Vrms
保持力矩/HOLDING TORQUE	0.20N.m (23oz. in) 以上/MIN. 注/NOTE) 1
运行力矩 (AT --PPS) RUNNING TORQUE(AT --PPS)	--- 以上/MIN. (--V. DC, --A/相(PHASE), --相励磁/EX)
绝缘耐压/DIELECTRIC STRENGTH	500V A.C 1分钟/MINUTE
绝缘电阻/INSULATION RESISTANCE	100 MΩ 以上/MIN.
绝缘等级/INSULATION CLASS	CLASS B
温度上升/TEMPERATURE RISE	80K MAX. 注/NOTE) 2
转子惯量/ROTOR INERTIA	22g. cm <sup>2</sup> (0.12oz. in <sup>2</sup> )
重量 /WEIGHT	约/APPROX. 275克/g (9.7oz)
允许轴向负载/ALLOWABLE THRUST LOAD	10N
允许径向负载/ALLOWABLE RADIAL LOAD	21N (轴端/ON THE SHAFT END)
运行环境温度/OPERATION AMBIENT TEMP	-20° C----+50° C
运行环境湿度/OPERATION AMBIENT HUM	15%---90%
寿命 /LIFE	5000小时/HOURS 注/NOTE) 3

备注/NOTE):

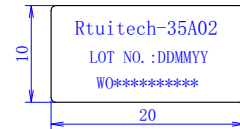
1. 额定电流, 两相同时通电/AT RATED CURRENT, TWO PHASES ON.
2. 热阻法: 电机安装在105\*105\*T5的铝板上, 电机线圈两端通额定电压, OPPS /MEASURED BY RESISTANCE METHOD. MOUNT WITH ALUMINUM HEAT SINK 105\*105\*T5 AT TWO WINDING BE EXCITED BY RATED VOLTAGE, OPPS, 2PHASE ON.
3. 寿命测试条件: 整步, 运行速度为500PPS, 轴承的表面温度不超过70° C  
LIFE TEST CONDITION: 2PHASE EXCITING, FULL STEP, AT 500PPS. STARTING PULSE, BEARING TEMPERATURE SHOULD BE 70° C MAX.

励磁顺序 (2相励磁) VS. 旋转方向  
EXCITING SEQUENCE (TWO PHASES)  
VS. DIRECTION OF ROTATION

STEP	A	B	A̅	B̅	
1	+	+	-	-	CCW ↑
2	-	+	+	-	
3	-	-	+	+	
4	+	-	-	+	

从安装面看为顺时针方向  
CLOCKWISE VIEW FROM MOUNTING SIDE

铭牌/LABEL



已受控

CONFIRMED&ACCEPTED BY CUSTOMER (客户确认&接受)				型号/MODEL	
COMPANY CHOP&SIGNATURE (盖章&签名)				35A02	
B	2018-12-04	---	引线变更去除端子更改线长	Starry	
A	2018-11-27	---	初版	Starry	
一般公差 TOLERANCE	±0.3/±3°	版本 REV.	年月日 DATE	变更内容 ECO NO.	变更内容 REVISIONS
制图/DRAWN	Ruitech/2016-07-27	比例 SCALE	1:1	品名 TITLE	步进电机规格书 STEPPING MOTOR SPECIFICATION
设计/DESIGNED	Ruitech/2016-07-27	单位 UNIT	mm		
审核/CHECKED					
承认/APPROVED					
				备注 NOTE	REV. B
				页 SHEET	1/1

